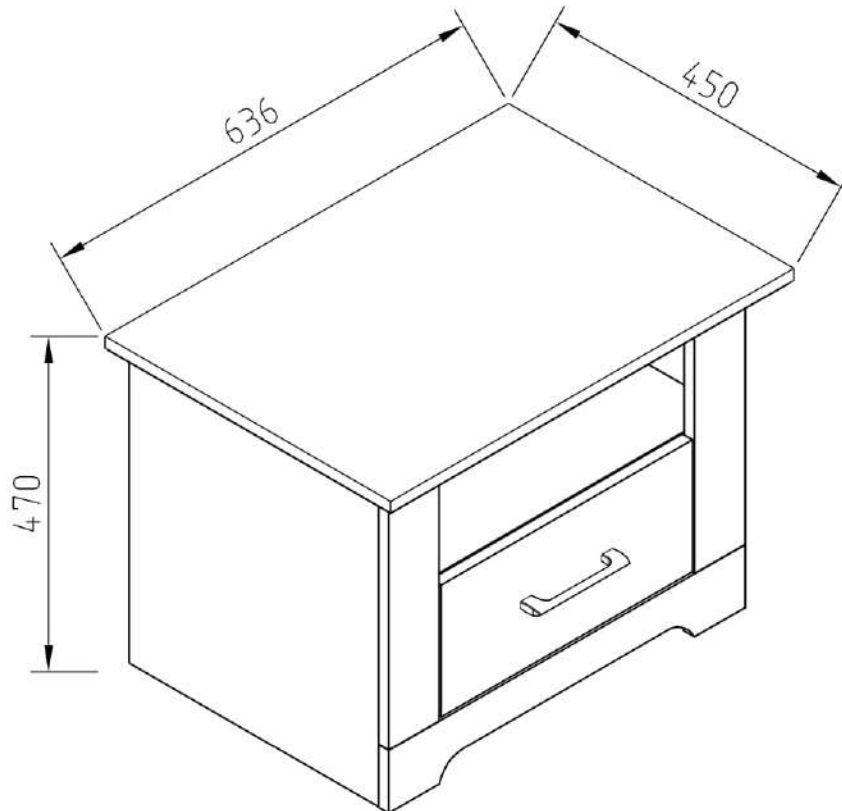




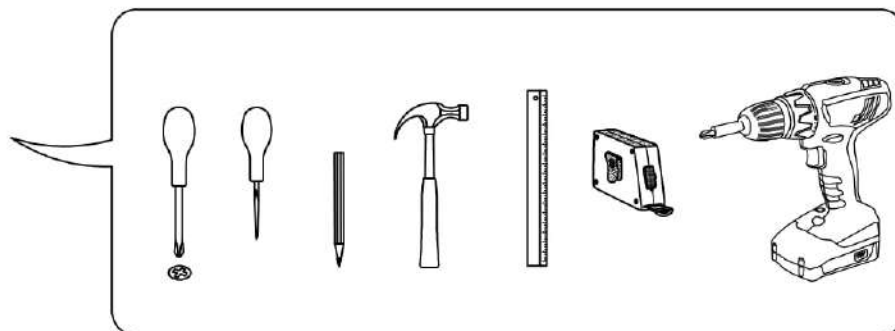
# VALERIO




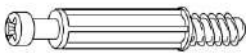





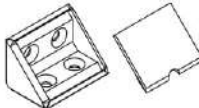

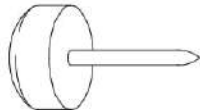



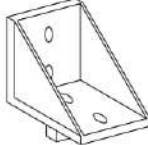
## BEDSIDE CABINET




# VALERIO

## BEDSIDE CABINET



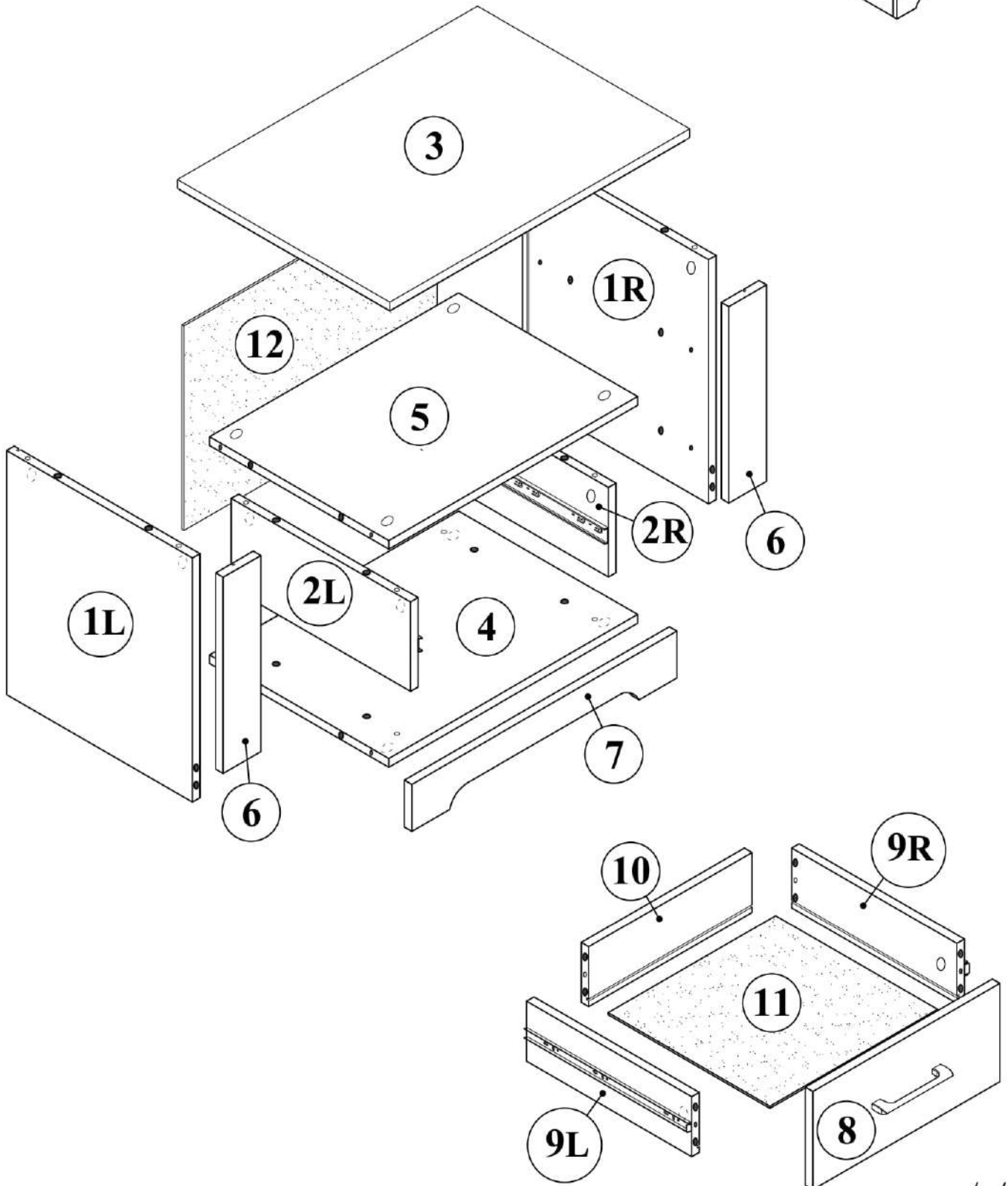
 <b>A1</b> 8*30mm x32	 <b>B</b> x6	 <b>B1</b> 6,3*50mm x6
 <b>C1</b> 5*30mm x18	 <b>D</b> x18	 <b>D1</b> 16mm x18
 <b>E5</b> 3,5*16 x32	 <b>G6</b> M 4*22 x2	 <b>H2</b> x5
 <b>H12</b> 20x20x33 x2	 <b>I43</b> P-38 (128) x1	 <b>K4</b> x4
 <b>M2</b> L-350mm x1	 <b>R3</b> 1.4*25mm 0.010kg	 <b>R4</b> N°4 x1
 <b>S13</b> x4		

**VALERIO**  
**BEDSIDE CABINET**

No	a*b	x	Nº→...
1L	448x394	x1	1/1
1R	448x394	x1	1/1
2L	164x380	x1	1/1
2R	164x380	x1	1/1
3	636x450	x1	1/1
4	528x380	x1	1/1
5	528x380	x1	1/1
6	360x80	x2	1/1
7	562x86	x1	1/1
8	396x180	x1	1/1
9L	350x110	x1	1/1
9R	350x110	x1	1/1
10	346x110	x1	1/1
11	355x343	x1	1/1
12	537x375	x1	1/1
		x1	1/1


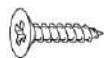
# VALERIO

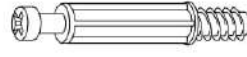
## BEDSIDE CABINET


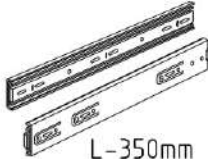


# VALERIO

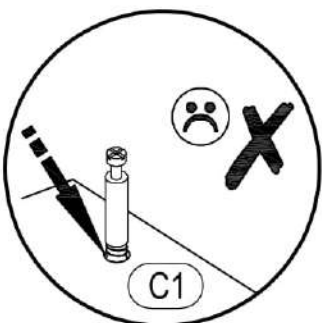
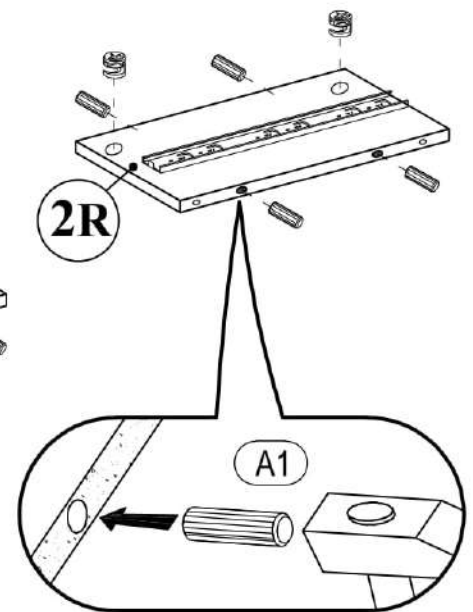
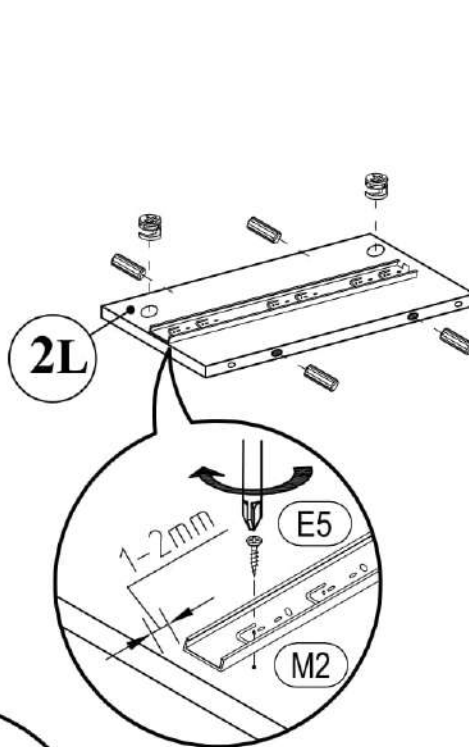
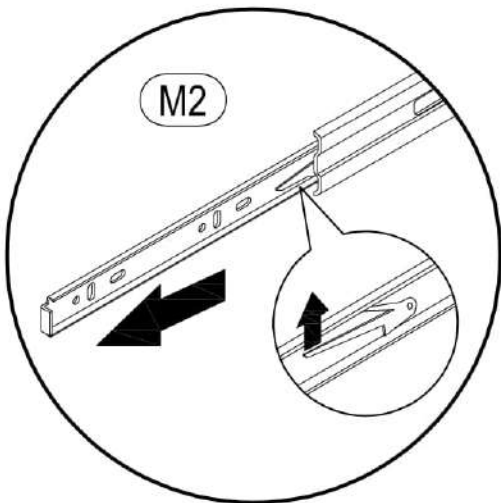
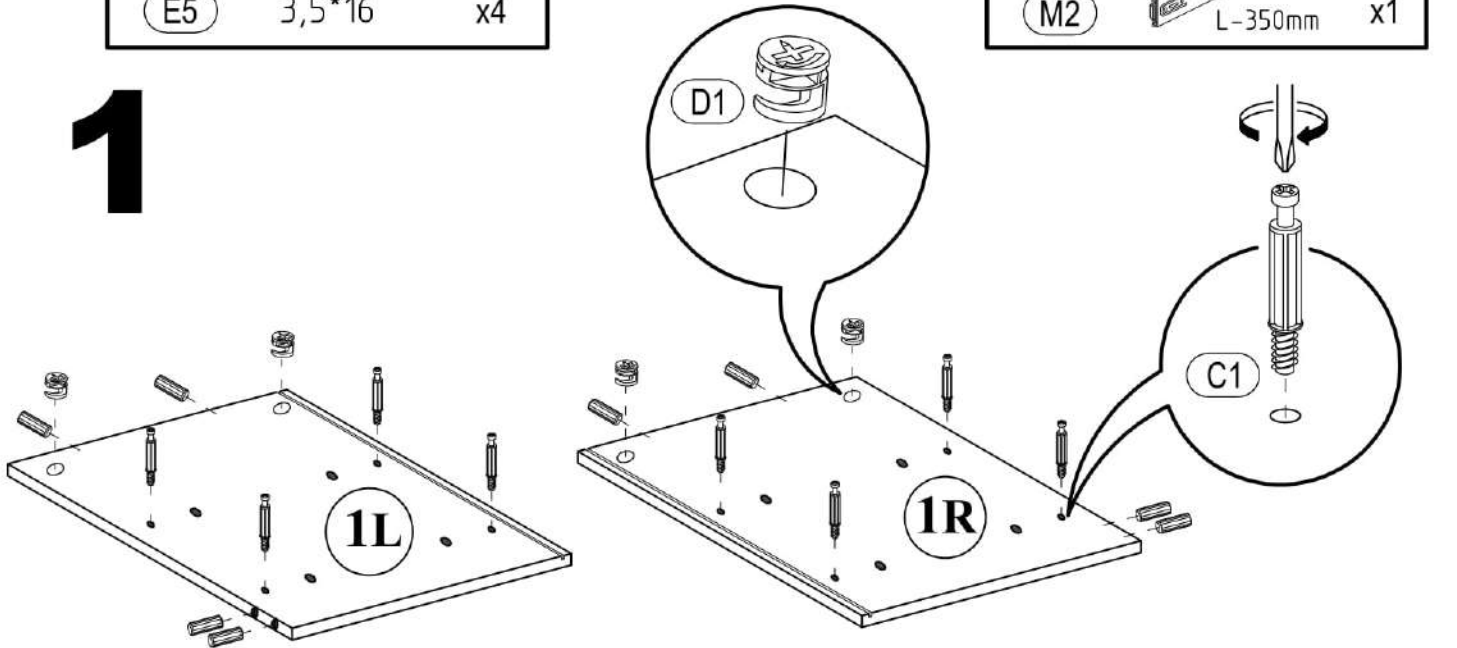
## BEDSIDE CABINET

	<b>A1</b>	8*30mm	x16
	<b>E5</b>	3,5*16	x4


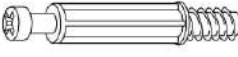


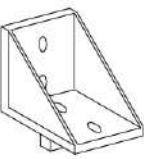
	<b>C1</b>	5*30mm	x8
---	-----------	--------	----

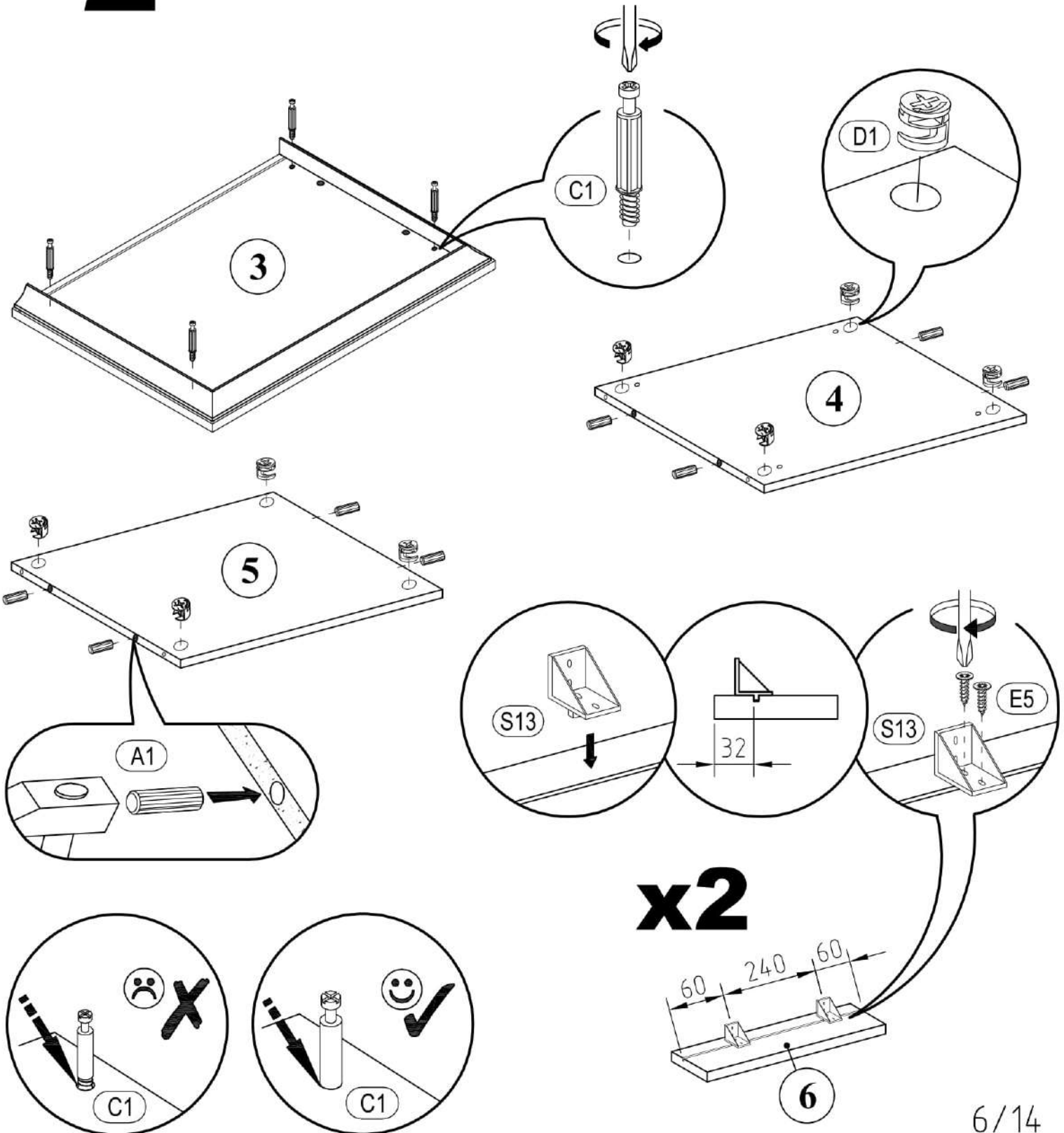
	<b>D1</b>	16mm	x8
	<b>M2</b>	L-350mm	x1

# 1



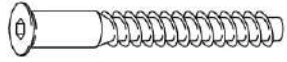

# VALERIO BEDSIDE CABINET

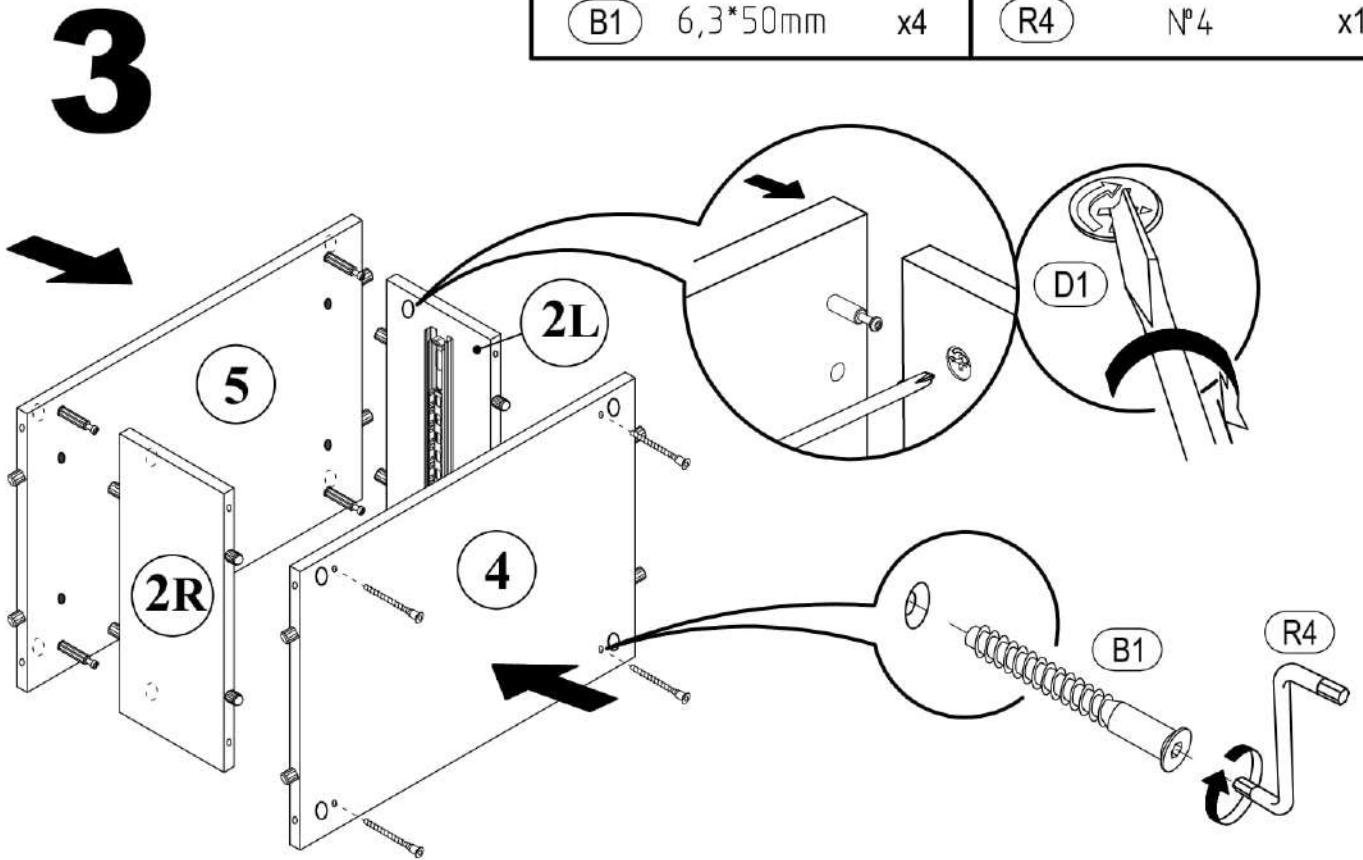
 <b>(A1)</b> 8*30mm x8	 <b>(C1)</b> 5*30mm x4	 <b>(D1)</b> 16mm x6
<b>2</b>		 <b>(E5)</b> 3,5*16 x8
		<b>(S13)</b>  x4




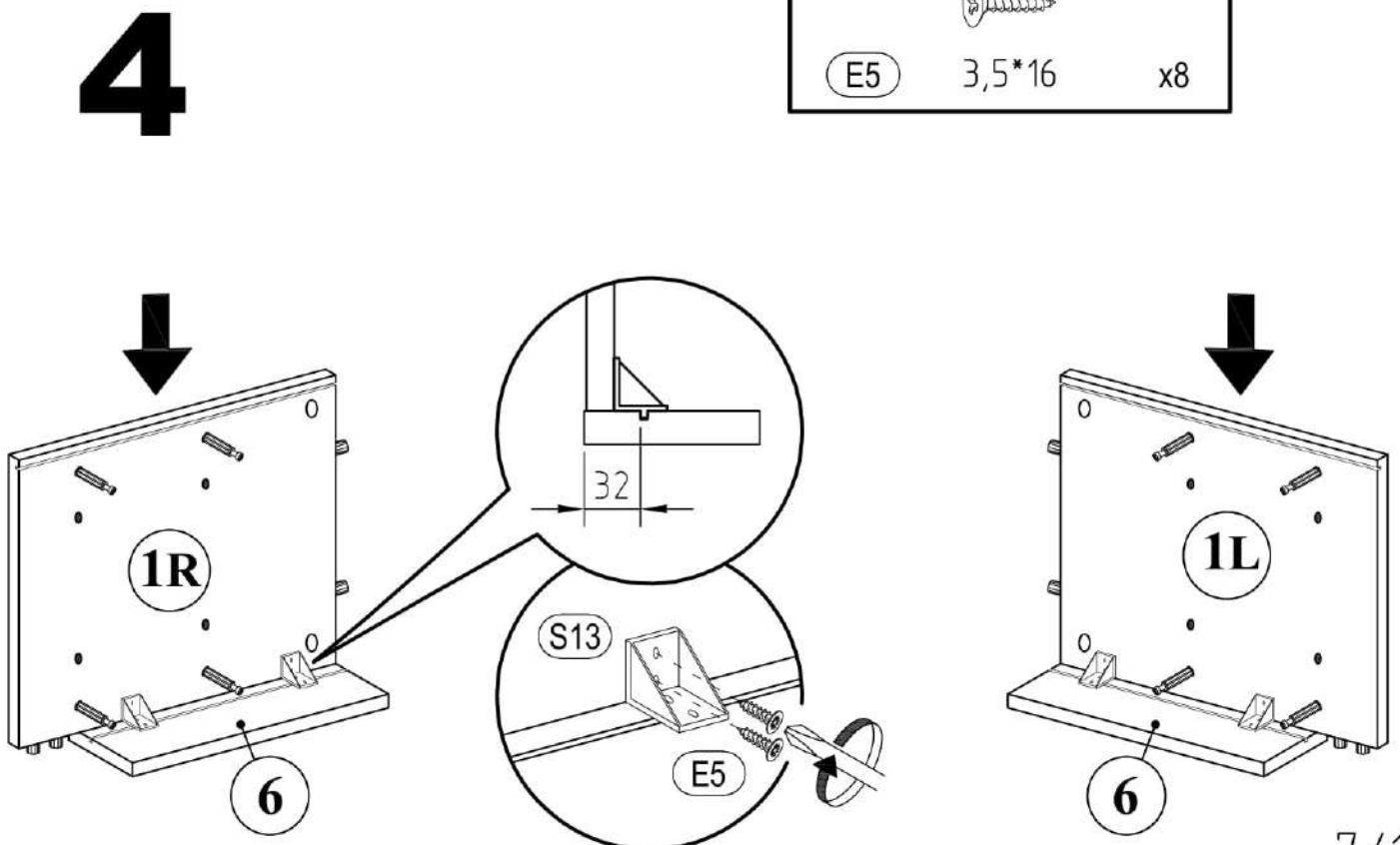
# VALERIO

## BEDSIDE CABINET

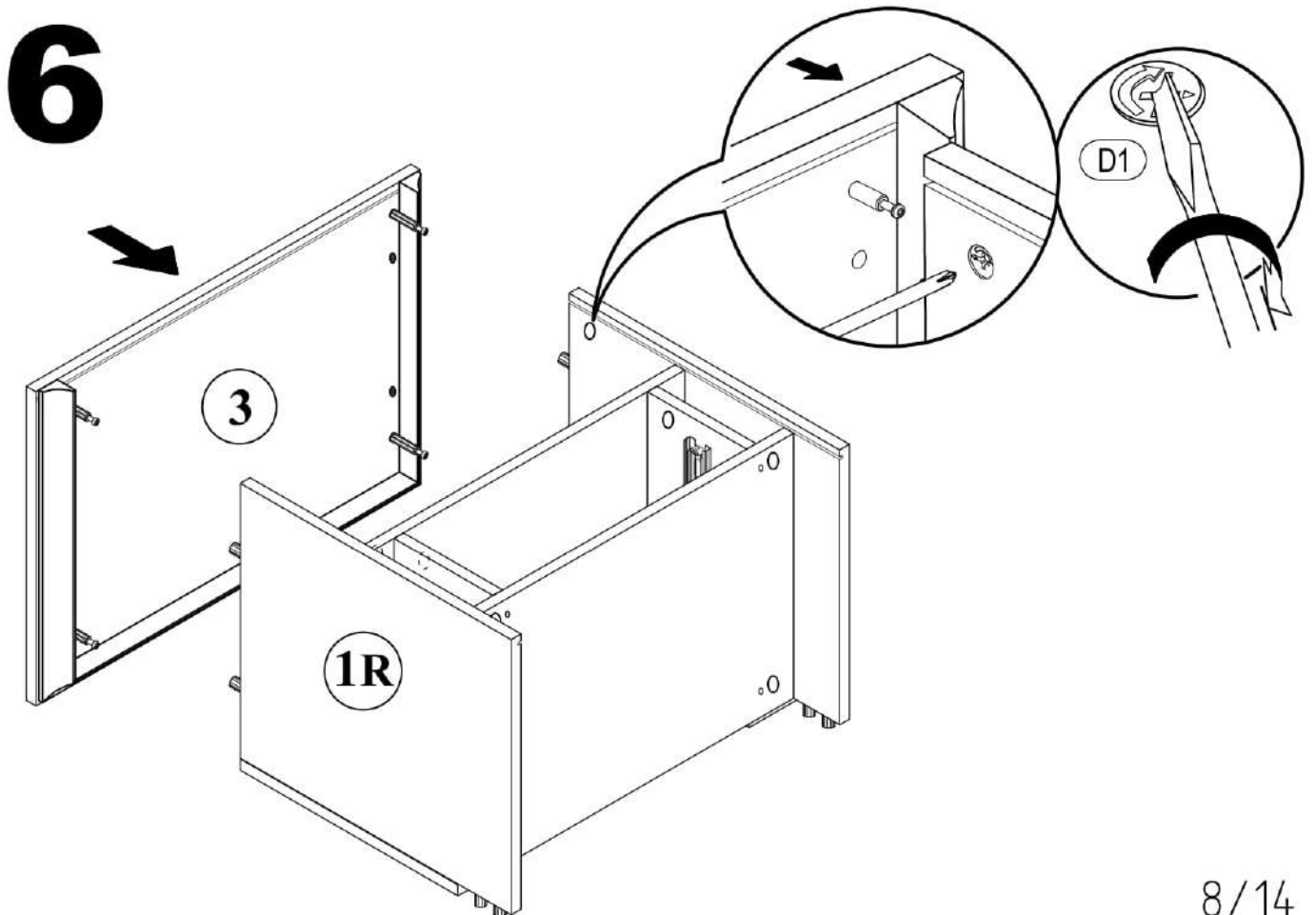
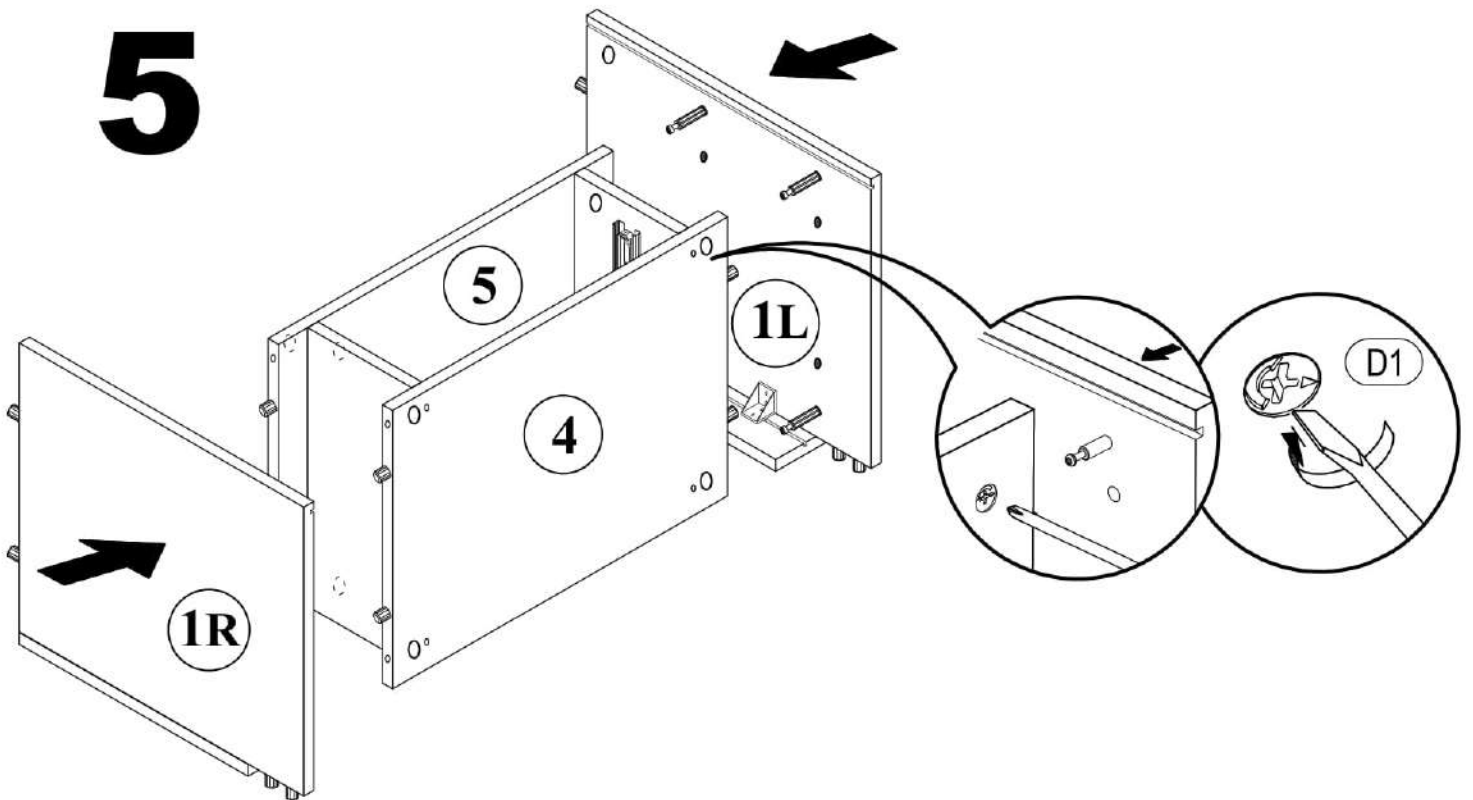
 <p>(B1) 6,3*50mm x4</p>	 <p>(R4) N°4 x1</p>
--	--



 <p>(E5) 3,5*16 x8</p>
---



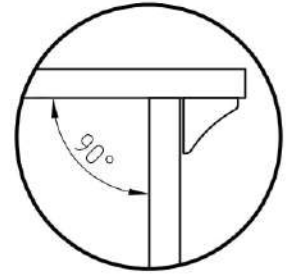
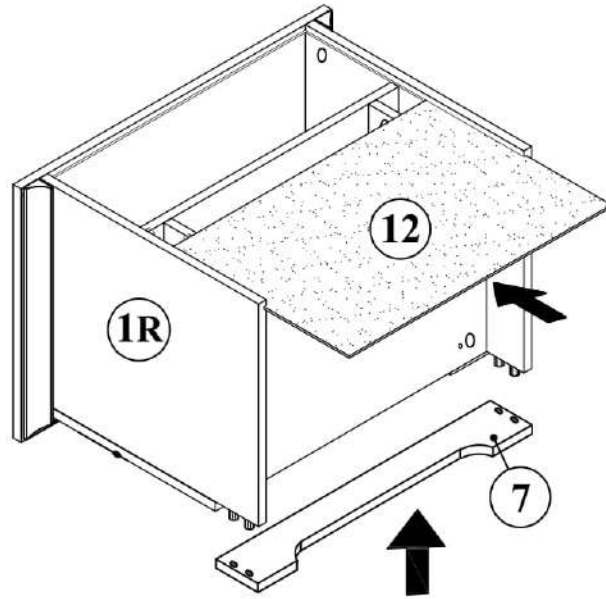
**VALERIO**  
**BEDSIDE CABINET**




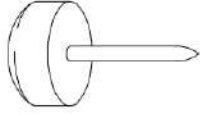





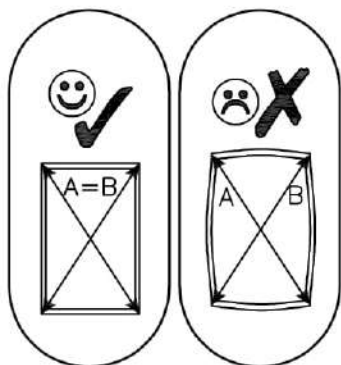
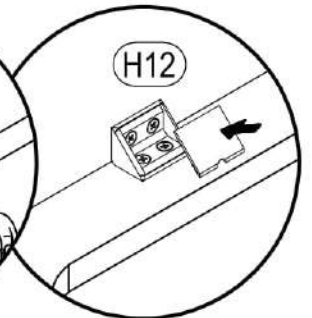
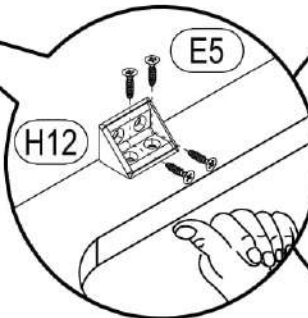
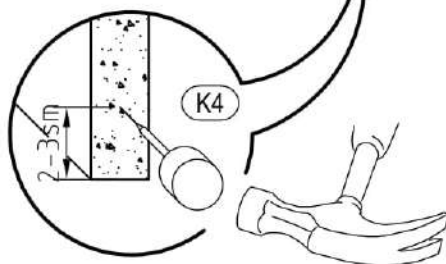
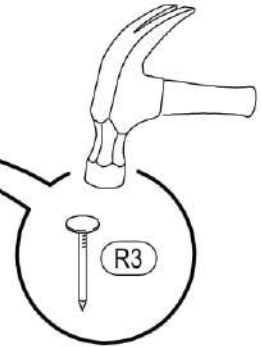
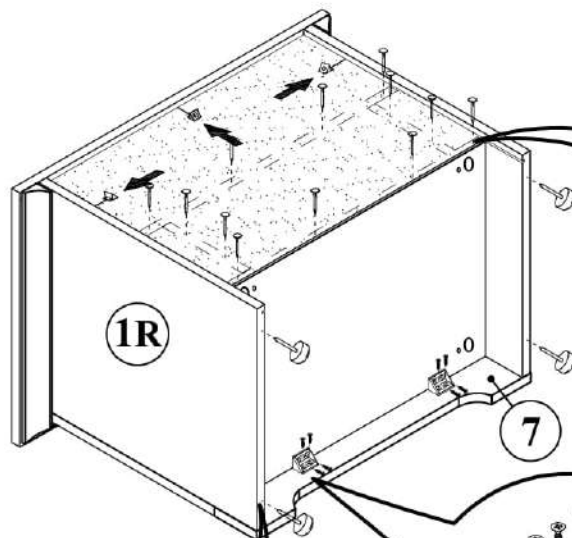
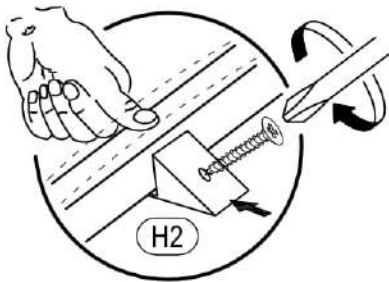
# VALERIO BEDSIDE CABINET

## 7



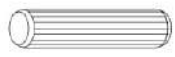
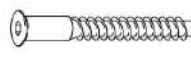
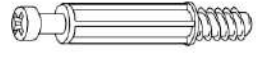

 <b>(E5)</b> 3,5*16 x8	 <b>(H2)</b> x3	 <b>(H12)</b> 20x20x33 x1
	 <b>(K4)</b> x4	 <b>(R3)</b> 1.4*25mm 0.010kg

## 8



# VALERIO

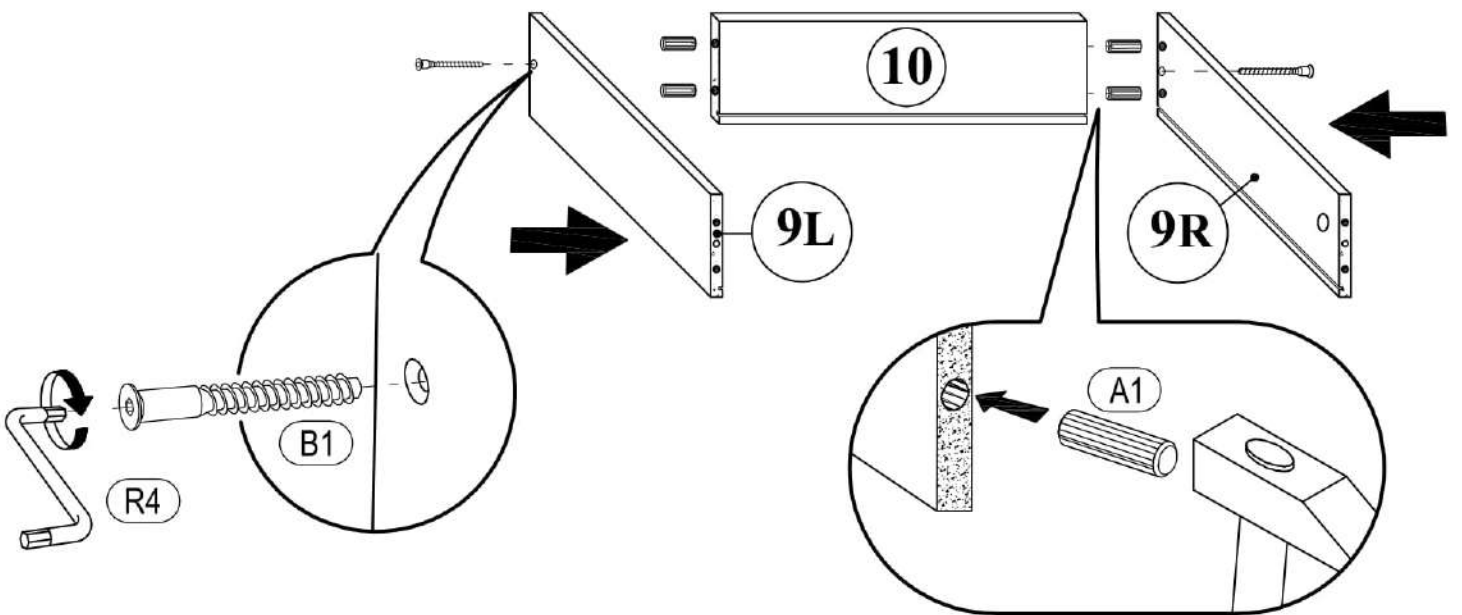
## BEDSIDE CABINET

 <p><b>A1</b> 8*30mm x4</p>	 <p><b>B1</b> 6,3*50mm x2</p>	 <p><b>C1</b> 5*30mm x2</p>
		 <p><b>R4</b> N°4 x1</p>

# 9

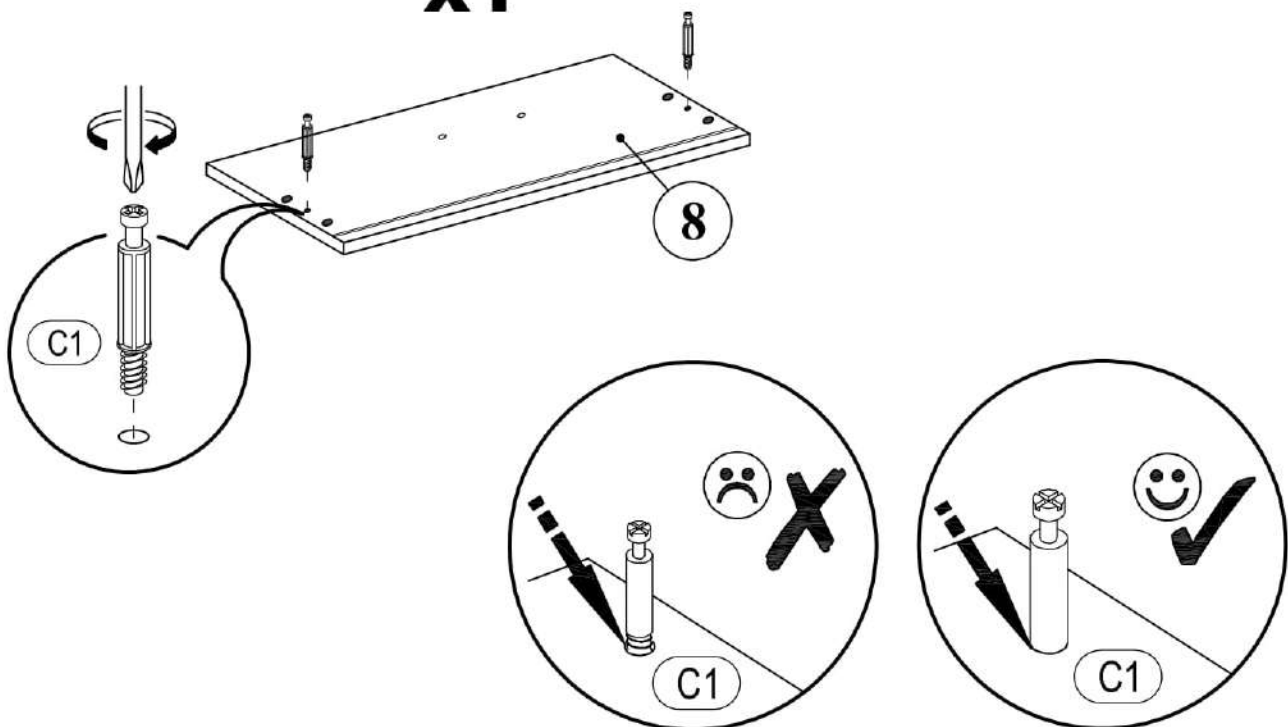
## 9.1

### x1







## 9.2

### x1

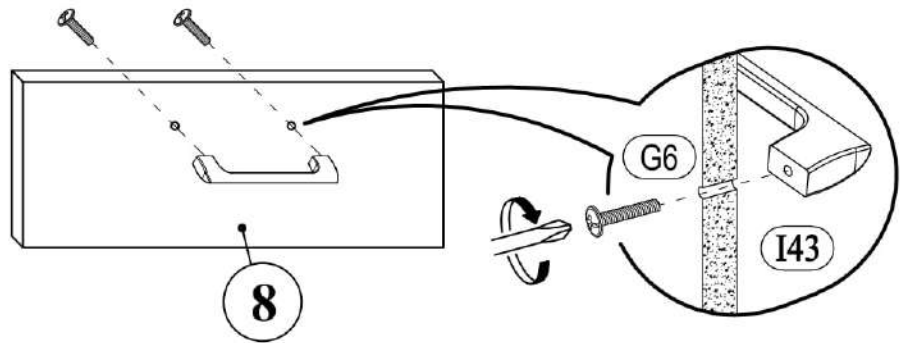


# VALERIO BEDSIDE CABINET

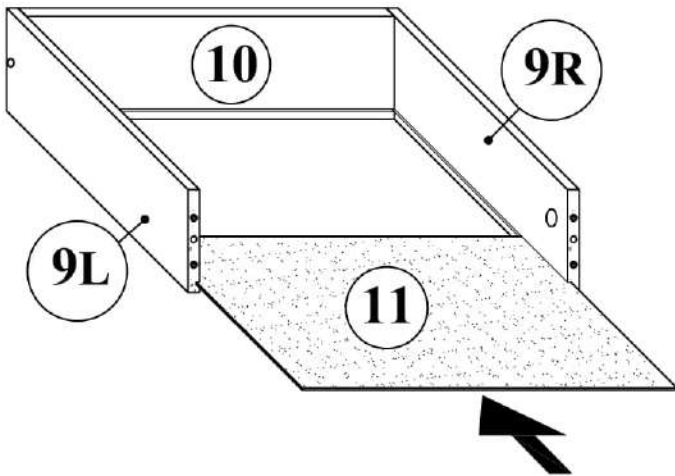
 <b>A1</b> 8*30mm x4	 <b>D1</b> 16mm x2	 <b>G6</b> M 4*22 x2
 <b>I43</b> P-38 (128) x1		

# 9

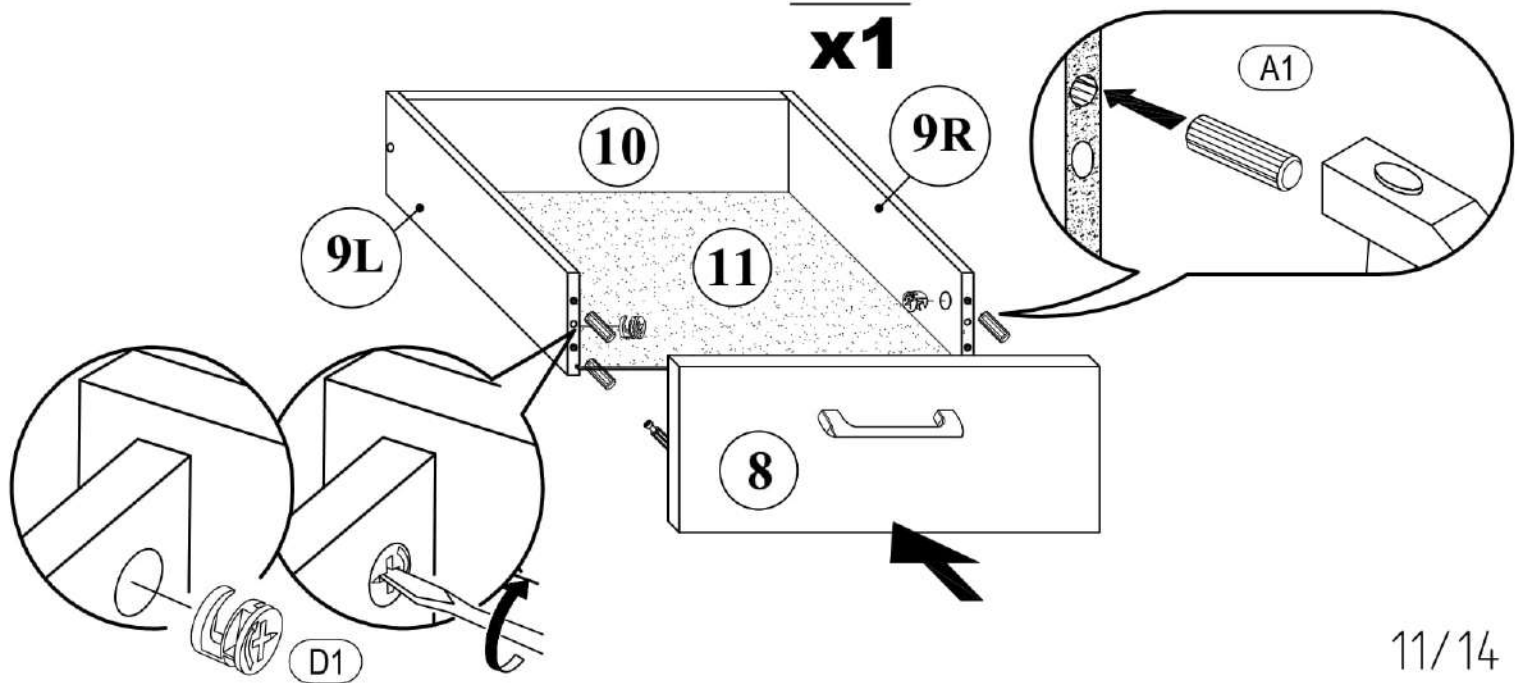
## 9.3 x1



## 9.4 x1






## 9.5 x1

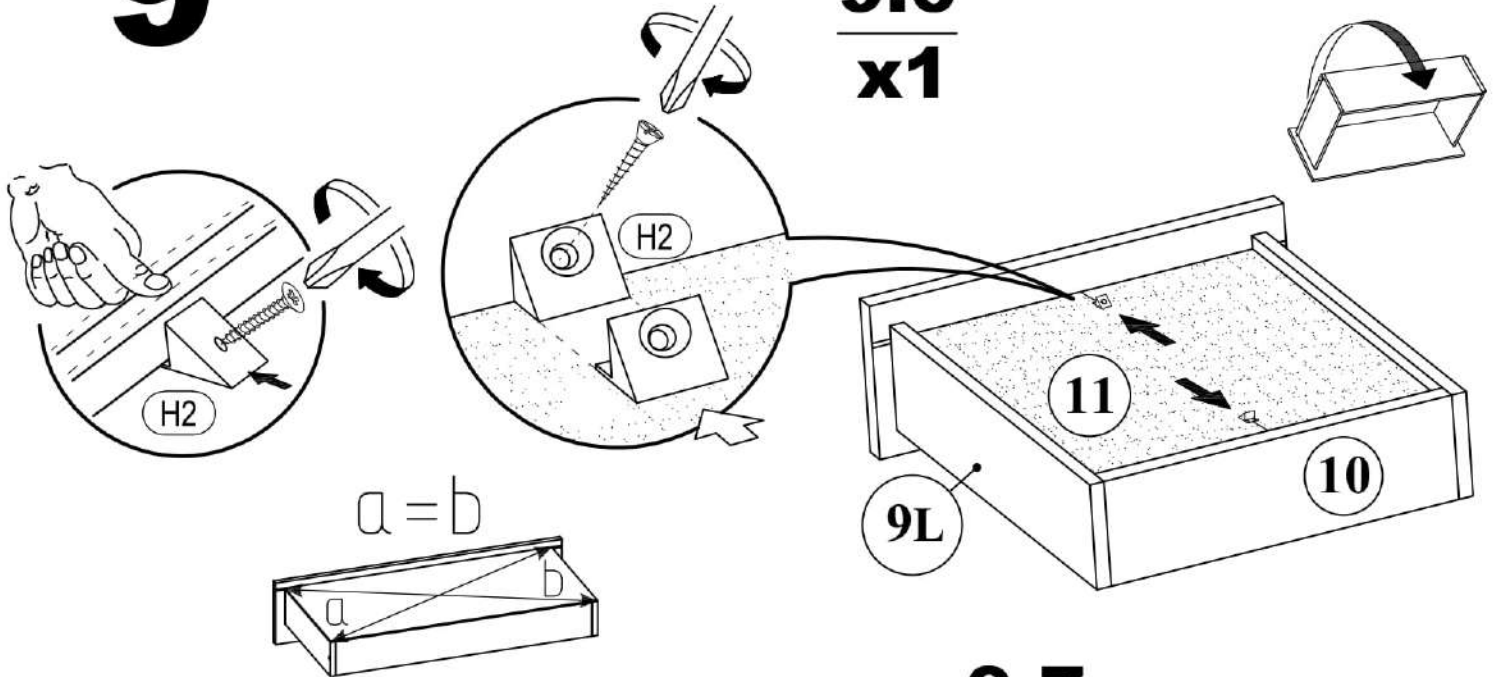


# VALERIO

## BEDSIDE CABINET

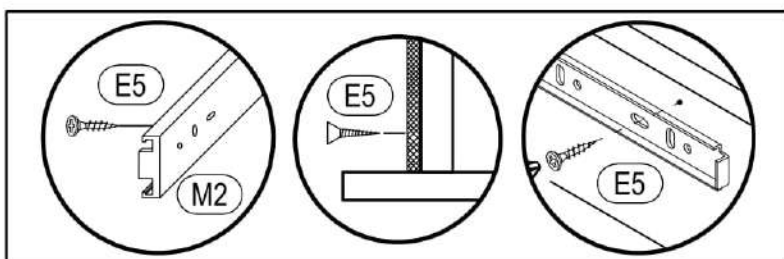
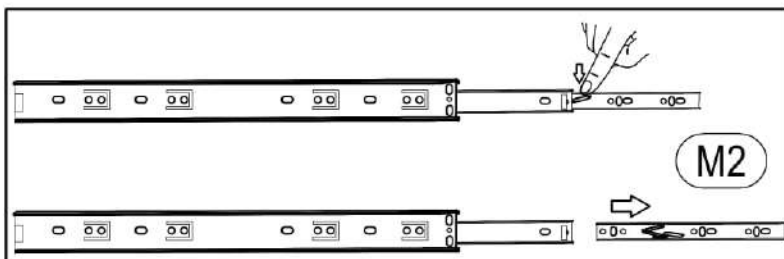
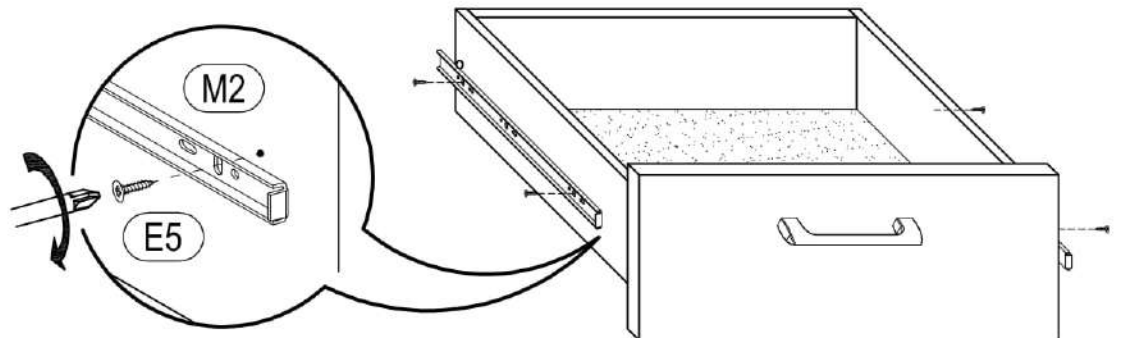
 <b>(E5)</b> 3,5*16mm x4	 <b>(H2)</b> x2	 <b>(M2)</b> L-350mm x1
--	---	---

# 9



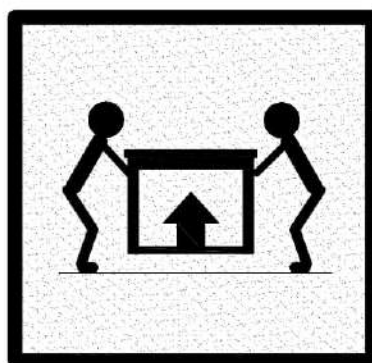
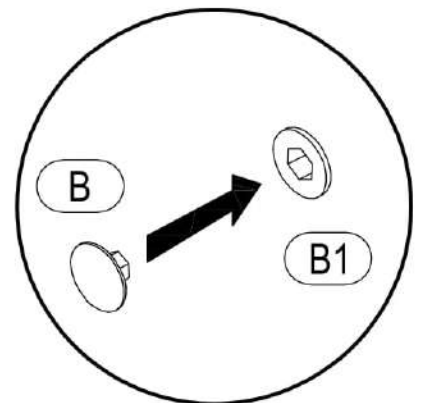
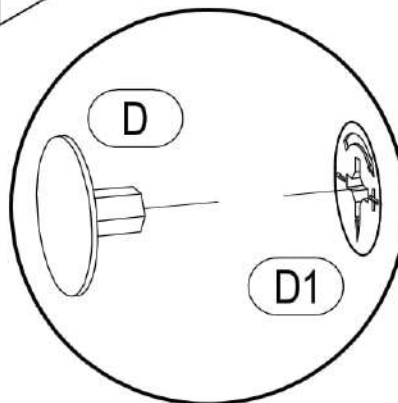
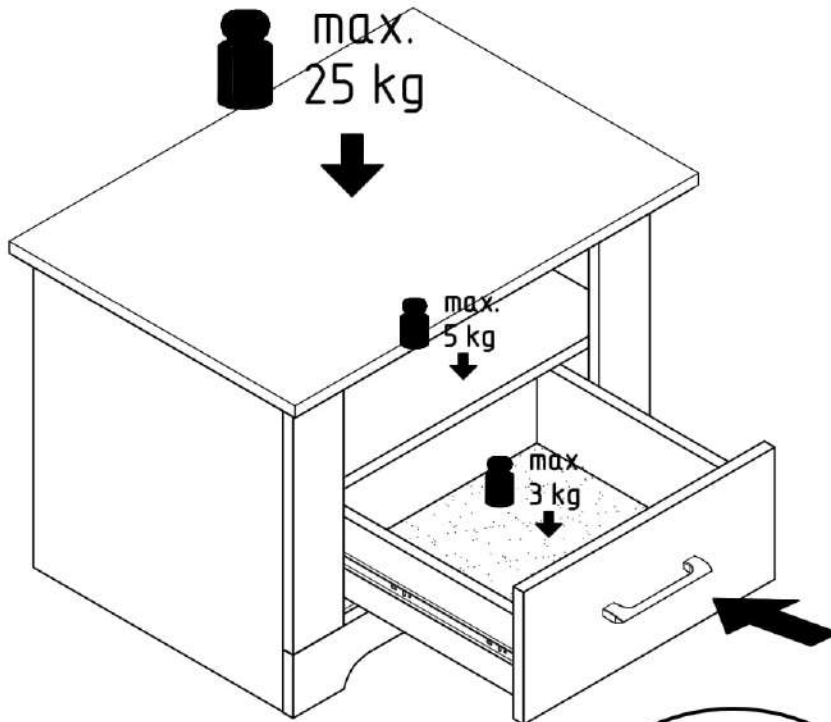
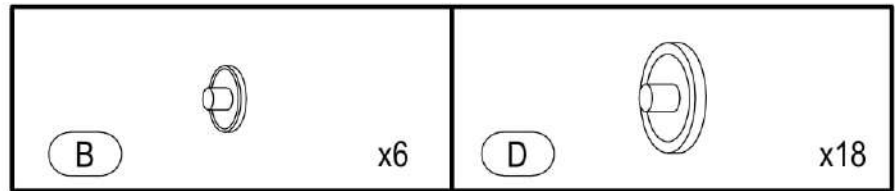
# 9.7

## x1



**VALERIO**  
**BEDSIDE CABINET**

**10**



# VALERIO

## BEDSIDE CABINET

